

OWNER'S MANUAL
PRO-68XRi
LASER/RADAR DETECTOR

THE WHISTLER GROUP, INC.
CORPORATE HEADQUARTERS
3604 NW Frontage Rd.
Bentonville, AR 72712
TEL: 479.273.6012 FX: 479.273.2927

P/N 202912, © The Whistler Group, Inc. 2012

www.whistlergroup.com



If you have questions concerning the operation of this Whistler product please call:

CUSTOMER SERVICE
479-273-6012

Monday - Friday • 8:00 am - 5:00 pm CT USA
or visit our website

www.whistlergroup.com

Please keep the receipt in a safe place.

You may register your product online at www.whistlergroup.com. For warranty verification purposes, a copy of your dated store receipt must still accompany any unit sent in for warranty work. If the unit is returned without a dated store receipt an out of warranty service charge applies.

Note: Your warranty period begins at the time of purchase. The warranty is validated **only** by the dated store receipt! Now is the time to record the serial number of the unit in the space provided in the warranty section of the manual.

INTRODUCTION

Dear Whistler Customer,

Whistler has utilized its High Performance antenna design and added new features made specifically for the European market. This model not only packs features common with Whistler's high end models but also includes the following new features not found in USA models;

- Ka Narrow Plus
- Selectable Laser Segments (which include: TraffiPatrol XR, Riegl, Jenoptik, Laveg, Truespeed and laser guns with "Stealth" modes)
- X/K Filter modes.

To utilize your unit to its full potential, we recommend reading this entire manual or visit our FAQ page on our web site www.whistlergroup.com.

Enjoy your new Whistler and please drive safely.

Sincerely,

The Whistler Group, Inc.

TABLE OF CONTENTS

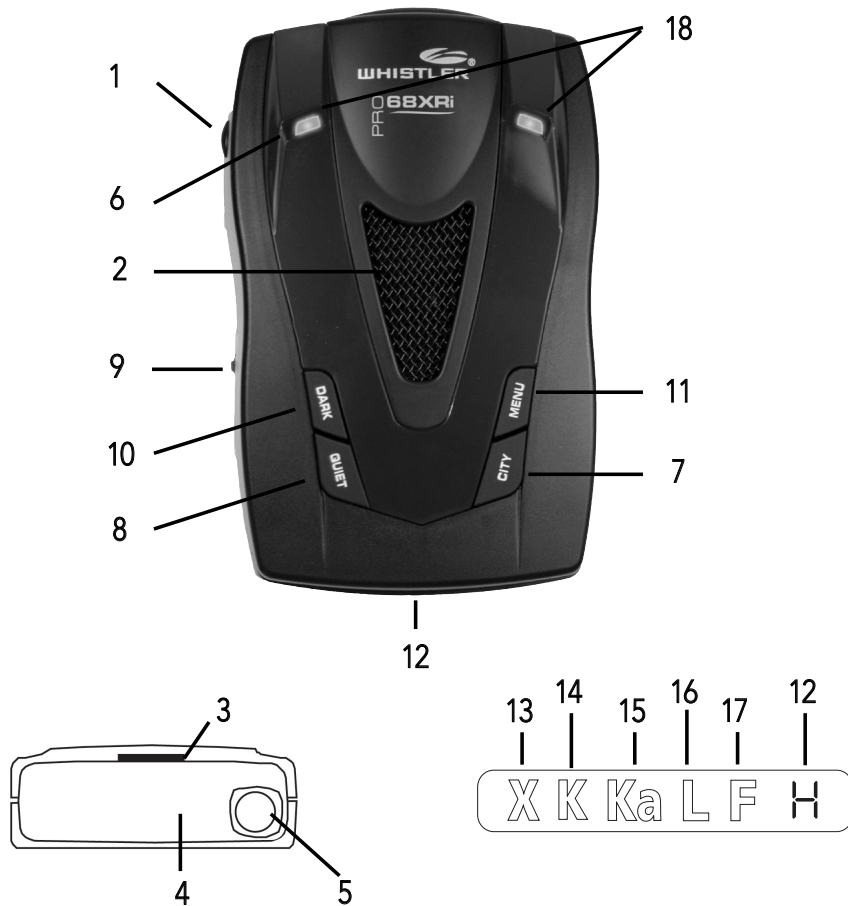
Model Features Summary	4 - 5
Installation	6 - 9
• Mounting Guidelines	
• Windshield Mounting	
• Power Cord Connection	
• Direct Wire Kit Connection	
• Fuse Replacement	
Operation	10 - 20
• Power On and Self-Test	
• Memory/Beep Confirmation	
• Auto Level Adjustment	
• Self-Test Quiet Mode	
• Auto Quiet/Quiet Modes	
• City/City 1/City2 Modes	
• Highway Mode	
• Signal Strength Display	
• Alert Periscopes	
• Dim/Dark Modes	
• Vehicle Battery Saver Mode	
• Teach/Tutorial Mode	
• X/K Filter Mode	
• Ka Filter Mode	
• Ka Narrow Plus Mode	
• Setting Saver	
• POP™ Mode Detection	
• INTELLICORD® Ready	
• Selectable Laser	
• Safety Warning System SWS	
• Alert Priority	
• Option Select Mode	
• Stay Alert™	

TABLE OF CONTENTS

Radar/Laser Alerts	21
• Radar Alerts	
• Laser Audio/Visual Alerts	
• Pulse Protection®	
Reset Features	22
Care and Maintenance	23
Troubleshooting Guide	23 - 24
Speed Monitoring Technologies	25 - 28
• Are Detectors Legal?	
• POP™ Mode	
• Laser Facts	
• Laser Tips	
• Radar Facts	
• Other Speed Detection Systems	
• Radar Detector Detectors	
FCC Information	28
Warranty Information	29 - 32
Specifications	32
Accessories	33

FEATURES

Feature Listings of PRO-68XRi



4

FEATURES

Whistler's ergonomic and user-friendly design provides a new level of operating convenience. Special features include:

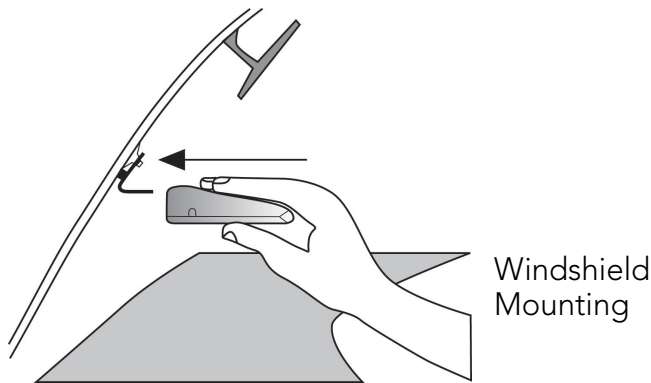
1. **Bracket Release Button** – provides quick and easy release of the mounting bracket.
2. **Speaker** – provides distinct audio warnings for X, K, Ka band radar, Safety Warning System, and laser.
3. **Mounting Bracket Location** – slot holds mounting bracket firmly.
4. **Radar Antenna** – compact, high-efficiency antenna receives radar signals.
5. **Front Laser** – high gain optical lens provides increased sensitivity and field of view for leading-edge laser detection.
6. **Rear Laser** – an integrated optical waveguide provides superior detection of laser signals transmitted from behind.
7. **City Button** - reduces the annoyance of false alerts typically encountered in urban driving areas.
8. **Quiet Button** - pressing QUIET before a signal is detected engages Auto Quiet Mode which automatically reduces the audio level after the initial warning to a low audio level setting. Pressing QUIET during a radar/laser encounter silences audio alerts, while allowing visual alerts to keep you informed.
9. **Power / Volume Control** – gently press this button **in** to turn the unit on/off. Move back or forward to adjust the audio level.
10. **Dim / Dark** - engages Dim/Dark modes.
11. **Menu Button** - enters Option Select Mode.
12. **Numeric Icon Display** – combines icon display with a 7 segment digital display that shows signal strength indication and Highway and City modes.
13. **X-band Icon** - indicates the unit is receiving a X-band signal.
14. **K-band Icon** - indicates the unit is receiving a K-band signal.
15. **Ka-band Icon** - indicates the unit is receiving a Ka-band signal.
16. **L Icon** - indicates that the unit is receiving a laser signal.
17. **F Icon** - indicates that the unit is in Filter mode.
18. **Alert Periscopes** - provide an additional attention getting visual alert.

5

INSTALLATION

Mounting Guidelines

- Mount the unit as low as possible near the center of the windshield.
- Do not mount the unit behind wipers, ornaments, mirrored sunscreens, etc. These obstructions have metal surfaces which can affect radar and laser signals and reduce critical warning time. (Regular tinted glass does not affect reception).
- Some windshields have an Instaclear™ or Electriclear™ type coating, which affect radar signals. Consult your dealer or the owner's manual supplied with your vehicle to determine if your windshield has this coating.
- Avoid placing the unit in direct contact with the windshield.
- To reduce the possibility of theft, conceal the unit when not in use.

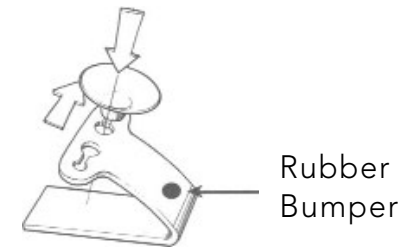


IMPORTANT: Make sure the unit is level

INSTALLATION

Windshield Mounting

- Install the two suction cups and rubber bumper onto the bracket by fitting them into their holes.
- Press the suction cups onto the windshield at the location you have chosen.



Important: Some newer cars have a plastic safety coating on the inside of the windshield. The windshield bracket may leave permanent marks on this type of surface. To find out if your vehicle has this type of windshield, check the vehicle's owner's manual or ask your dealer. We recommend that you do not leave the suction cup bracket on the window in direct sunlight. If the detector is removed, this may cause blistering of the dash in some vehicles.

- Slide the detector onto the bracket until it locks into place.
- If necessary, the unit may be leveled by bending the windshield bracket. Press the bracket release button and remove the detector before bending.

INSTALLATION

Power Cord Connection

- Plug the small end of the power cord into the unit's power jack.
- Plug the large end into the vehicle's cigarette lighter socket.

Note: Cord fits tightly into detector. When installing the cord, expect some resistance.



Installing the Hardwire Kit

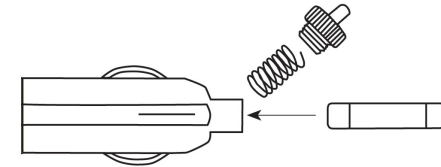
The "U" type connector must be secured to a metal surface that is electrically connected to the battery ground (negative) terminal.

The spade type connector can connect to either live 12 volts or switched 12 volts at your fuse panel accessory port. If no port is available, cut off the spade terminal, expose 1/4 to 1/2 inch of wire, and splice into a source of 12 volt power.

INSTALLATION

Fuse Replacement - power cord

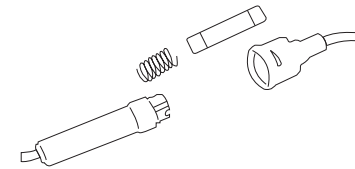
The lighter socket plug is equipped with a replaceable 2 amp, 3AG fuse located behind the silver tip. To replace the fuse, carefully unscrew the tip of the plug.



Important: Unscrew slowly. The tip contains a spring which may fly out when disassembling. Insert the new fuse with the spring and screw on the tip. With use, screw cap on plug may loosen. **Retighten occasionally.**

Fuse Replacement - hardwire kit

The inline fuse holder on the power cable is equipped with a replaceable 2 amp, 3AG fuse located inside the fuse holder. To replace the fuse, carefully twist the holder to open it to gain access to the fuse.



OPERATION

Power On and Self-Test

To turn the unit ON or OFF, gently press the center of the Power/Volume button **into** the side of the unit.

Each time your Whistler detector is turned on, an automatic self-test sequence confirms that the speaker, visual displays are functional along with many of the saved settings.

Memory/Beep Confirmation

All features selected (except Stay Alert and Quiet) are retained in memory. Each time a button is pressed one beep confirms feature "on", two beeps confirm feature "off".

Audio Level Adjustment

To change the audio level:

- Move Power/Volume button back to increase audio level.
- Move Power/Volume button forward to decrease audio level.

As audio level is adjusted, beeps are provided and the display indicates volume level.

Self-Test Mute

Simply press the Quiet button during the self-test sequence to cancel the self-test audio. This will not affect radar/laser alerts. To restore the self-test audio, simply press the Quiet button during the next self-test.

OPERATION

Auto Quiet Mode

Auto Quiet mode reduces the selected audio level approximately 5 seconds after a radar or safety radar signal is detected. The alert for any new signal within 20 seconds will resume at the lower level. Auto Quiet mode does not affect laser alerts.

- Press Quiet (before a signal is detected) to engage Auto Quiet mode.
- Once the Auto Quiet mode is engaged, you may cancel the audio alarm by pressing Quiet.
- Press Quiet (when the unit is not alarming) to cancel Auto Quiet mode.

Quiet Mode

Quiet mode cancels audio during an alert and any new alert within 20 seconds. After 20 seconds of no radar signal detected, the audio alerts are restored.

- Press Quiet to cancel the audio.
- Press Quiet a second time during an alert to restore the standard audio alert pattern.

OPERATION

City/City 1/City 2 Modes

Whistler's City Modes are designed to reduce the annoyance of automatic door openers, intrusion alarms and other devices which share frequencies with police radar. Generally, X band is used for these devices.

- Press City to cancel Highway Mode and engage City Mode. The display will switch from "H" to "C".
- Press City again to enter City 1 Mode.
- Press City again to enter City 2 Mode.

Note: After 3 seconds, "1" or "2" City Mode indicator turns off.

- Press City a fourth time to cancel City 2 Mode and returns the unit to Highway Mode.

In City Mode, weak speed/safety radar signals give an initial alarm of two beeps, and then remain quiet until the signal becomes very strong. When the signal strength increases, two additional beeps are provided. City 1 and City 2 Modes operate the same as Highway Mode, but in City 1 Mode, only the X band is lowered. In City 2 Mode, X-band is not detected.

Caution: Some towns/small cities may still be using X band radar. City Modes do not change the audio alert for laser.

OPERATION

Highway Mode

Highway mode provides full audio warnings any time radar (X, K, Ka, and Safety Warning System - SWS) or laser signals are detected, and is recommended for open road driving.

For more information on City and Highway modes, please visit our FAQ page on our website: www.whistlergroup.com

Signal Strength Display

When a radar signal is detected the audio alerts have a geiger counter-like pattern to help you determine the strength of the radar source; the faster the beeping the stronger the radar signal. At the same time the audio is reporting, the display illuminates the band identification icon and relative signal strength from 1 to 9.



1 = weak signal, 9 = strong signal

Alert Periscopes

Whistler's Alert Periscopes provide an added attention getting visual alert. The two extra LEDs flash on and off when the unit alarms to provide a unique visual alert. This alert can be programmed, through the Option Select Mode to:

1. flash for all alarms
2. remain on
3. turn LEDs off completely

OPERATION

Dim/Dark Modes

Dim/Dark Mode reduces the illumination of the display.

- Briefly press and release the Dark button to reduce illumination to a Dim setting.
- Briefly press and release the Dark button a second time engages Dark Mode. In Dark Mode, the display goes dark for as long as a signal is being detected and for 20 seconds after, then the display returns to the dim setting. Dim Modes can be engaged during an alert.
- Briefly press and release the Dark button a fourth time to restore full illumination to the display.

Vehicle Battery Saver Mode

The Vehicle Battery Saver Mode automatically shuts off the detector after 6 hours if the unit has constant power.

The timer is reset:

1. Each time the detector is turned off
2. The power cord is disconnected or power is removed to the unit.
3. Any button is pressed before the timer has expired.
The detector will alert you with an audible and visual warning before it shuts off.

During this warning you can reset the timer by pressing any button. If the unit has automatically turned itself off, press the Power button to turn the unit back on.

OPERATION

Teach/Tutorial Mode

Provides simulated alerts for each type of signal.

- Press City and Quiet simultaneously and release.
- Press Power to cancel.

X/K Filter Modes

Recently, many new products operate on X or K band causing nuisance alerts to radar detectors. Some of these are radar based Traffic Monitoring Systems mounted to poles alongside the highway and others are K Band Lane Change Assistants and Blind Spot Detectors found on some automobiles. The X/K Filter Mode offers multiple levels of rejection to reduce false alerts caused by these systems.

Ka Filter Modes

There are times when a radar detector in another vehicle, can emit a frequency which can cause your detector to falsely alert. The Ka Filter Modes allow you to select the level needed for your area to minimize the occurrences of these false alerts.

Filter 1 Mode is the factory default setting and should provide adequate filtering for most conditions. If you experience excessive alerts due to radar detectors in other vehicles, increase the Filter level. See Option Selection Mode to change the filter settings.



Display showing XK Filter 1 Mode



Display showing Ka Filter 1 Mode

OPERATION

Ka Narrow Plus Mode

Many countries do not share the same Ka radar guns as the USA. Having a radar detector that scans the complete Ka band may not be necessary if your Country is only using one or more of the following (34.0, 34.3, or 35.5 GHz).

Other brands of detectors may also offer a Ka narrow mode Option of 34.3 but only Whistler includes 34.0 and 35.5 with the Narrow Plus feature. See Option Select Mode to engage Ka Narrow Plus mode.



Display showing Ka Narrow Mode

Setting Saver

Setting Saver saves your personalized settings so that when the detector is turned off and then on again, you do not have to re-enter them.

POP™ Mode Alerts

Because POP™ Mode radar utilizes the same K or Ka band frequencies, POP™ Mode Alerts will displayed as regular radar signals.

INTELLICORD® Ready

The INTELLICORD® power cable allows the user to remotely control Power and Quiet/Auto Quiet functions with the press of a button located on the power cable's plug.

OPERATION

Segmented Selectable Laser Receiver

The laser validation windows are separated into segments allowing for customization in your country.

Segment	Pulse Rate
L 1	valid up to 900Hz
L 2	valid from 1100Hz - 2000Hz
L 3	valid from 2000Hz - 3000Hz
L 4	valid from 3000Hz - 4000Hz,
L c	valid from 900Hz - 1100Hz
L t	valid for the TraffiPatrol XR

The L c segment is an area known to have laser falsing from some new vehicles with Laser Assisted Cruise Control (LACC). This segment is defaulted to off. If vehicles in your country do not have LACC systems, you may turn on this segment in Option Select Mode.



Display showing L 1 laser segment detection

If a segment is not required in your country, it is recommended that you shut off the segment in Option Select Mode to minimize the chance of false alerts caused by some non police sources such as airports, laser assisted cruise control systems and more.

OPERATION

Safety Warning System™ SWS

In communities where transmitters are located, the Safety Warning System™ can transmit over 60 messages. When an SWS signal is detected an unique audio alert is sounded and an "S." is displayed to indicate an SWS message has been received.

Note: Not all areas have Safety Warning System™ transmitters.

Alert Priority

When two or more signals are received at the same time, the alert priority is:

1. Laser
2. Speed Radar
3. Safety Radar

Example: If X band is alerting, then suddenly a laser signal is detected, the laser warning will override the X band alert.

Option Select Mode

Press the Menu button to enter Option Select Mode. Press the Menu button again will step thru in an ascending order while pressing the City button will step thru in a decending order.

Press the Power button to exit. Option mode will automatically exit if no buttons are pressed within 20 seconds.

OPERATION

Option Select Mode - continued

Feature:	Display:	To Change:	Option:
Laser Segment L1	L 1.	D for ON, Q for OFF	1. = ON (default) 1 = OFF
Laser Segment L2	L 2.	D for ON, Q for OFF	2. = ON (default) 2 = OFF
Laser Segment L3	L 3.	D for ON, Q for OFF	3. = ON (default) 3 = OFF
Laser Segment L4	L 4.	D for ON, Q for OFF	4. = ON (default) 4 = OFF
Laser Segment Lc	L c	D for ON, Q for OFF	c. = ON c = OFF (default)
Laser Segment XR	L t.	D for ON, Q for OFF	t. = ON (default) t = OFF
Alert Periscopes (default = Blinking with alert)	.	D or Q to select	ON, OFF, BLINKING
X Band	X.	D for ON, Q for OFF	X. = ON (default) X = OFF
K Band	K.	D for ON, Q for OFF	K. = ON (default) K = OFF
Ka Band	Ka.	D for ON, Q for OFF	Ka. = ON (default) Ka = OFF
Ka Narrow Plus	Ka n	D for ON, Q for OFF	Ka n. = ON Ka n = OFF (default)
POP Mode	P	D for ON, Q for OFF	P. = ON P = OFF (default)
SWS	S	D for ON, Q for OFF	S. = ON S = OFF (default)
X/K Filter	X/K F 1	D or Q to select	F 1 = Filter 1 (default) F 2 = Filter 2 F 3 = Filter 3 F 4 = Filter 4 F 5 = Filter 5
Ka Filter	Ka F 1	D or Q to select	F 1 = Filter 1 (default) F 2 = Filter 2 F 3 = Filter 3

OPERATION

Stay Alert Feature

The Stay Alert Feature is designed to test a driver's alertness. To engage (when the unit is not alarming):

- Press and hold the City button for approximately 2 seconds. Release the button during or immediately after the alert is given.

The "H" or "C" will flash indicating that Stay Alert is activated. Within 30-60 seconds, two beeps are sounded; to show alertness, the driver must press either the City, Menu, or Quiet buttons within 3-5 seconds. If a button is pressed within 3-5 seconds, the cycle is repeated. Before unit alerts, press PWR to exit this feature. If a button is not pressed within 3-5 seconds, an alarm sounds and the entire display flashes.

- Press the Power button to exit.

WARNING!!! Stay Alert is NOT intended as a substitute for adequate rest. You should NOT operate a vehicle if you are drowsy. During extended periods of vehicle operation, you should take frequent breaks. Improper reliance on the Stay Alert feature may result in vehicle damage, personal injury or death. **NEVER OPERATE A VEHICLE IF YOU ARE DROWSY.**

RADAR/LASER ALERTS

LASER/RADAR ALERTS

Speed Radar Audio/Visual Alerts when X, K or Ka is detected, the band ID and signal strength are displayed. The audio alert is continuous and has a Geiger counter-like pattern. The faster the beep, the closer or stronger the radar source.

Laser Audio/Visual Alerts

When a laser signal is detected the audio alert is continuous for a minimum of 3 seconds.

- The unit's "L" icon will illuminate along with a corresponding segment to indicate the general PPS rate of the source.
- When a TraffiPatrol XR laser gun is detected the unit's "L" icon will illuminate along with an "t" on the display.

Pulse Protection®

Pulse (or instant-on) radar is more of a threat than conventional radar because it remains "off" until activated to measure the speed of a targeted vehicle. When a pulse type transmission is detected, your Whistler detector sounds an urgent 3-second audio warning and the display shows a "P".

After the 3-second pulse alert, the standard alert pattern continues for as long as the signal is present. It is important to respond promptly to a pulse alert, since warning time may be minimal.

RESET FEATURES

Reset Features

All user features can be reset to factory settings.

- Remove Power from the unit.
- Press and hold the Power and Quiet buttons.
- Restore Power to the unit.
- Wait for 2 beeps.
- Release the Power and Quiet buttons.

Unit is now reset to the following features and settings.

1. City/Highway to Highway Mode.
2. Audio level to (4)
3. Self-test Quiet OFF.
4. Ka Narrow OFF.
5. Dim/Dark to full illumination of display.
6. Auto Quiet OFF.
7. SWS OFF.
8. Vehicle Battery Saver OFF
9. Full Power Up sequence.
10. Default TONE 3.
11. All Bands ON.
12. POP OFF.
13. LED Periscopes to BLINK.
14. X/K Filter 1.
15. Ka Filter 1.
16. Laser Segments L 1 - L4 to ON.
17. Laser Segment L c to OFF.
18. Laser TraffiPatrol XR ON.

TROUBLESHOOTING

Care and Maintenance

Do not spray water, cleaners or polishes directly onto the unit. The spray may penetrate through the openings and damage the unit. Also, do not use any abrasive cleaners on the unit's exterior.

Troubleshooting

Your Whistler detector is expertly engineered and designed to exacting quality standards to provide you with reliable, trouble-free operation. If your unit has been correctly installed following the guidelines in this manual, but is not operating optimally, please refer to the troubleshooting guide below.

PROBLEM: No display or audio.

- Check fuse in power cable, replace if necessary.
- Check fuse in fuse box, replace if necessary.

PROBLEM: Unit alarms when vehicle equipment or electrical accessories (brakes, power mirrors/windows, directionals, horn, etc.)

- Check conditions of vehicle's electrical system, including battery and alternator.

PROBLEM: Audio alerts are not loud enough.

- Cancel Auto Quiet Mode or City Mode.
- Check audio level setting.

TROUBLESHOOTING

PROBLEM: Unit alarms when vehicle hits bumps.

- Check for loose lighter socket; tighten and clean.
- Check connections at both ends of the power cord. Substitute another cord to determine if the cord is defective. Return defective cord to the factory.

PROBLEM: Unit Ka falses too much.

- If your country only uses 34.0, 34.3, or 35.5 GHz use Ka Narrow Plus Mode.
- If alarms are POP Ka, switch POP Mode to off.
- If the above option doesn't help, use a higher Ka Filter setting.
- If alarms are X or K band and due to radar based traffic flow sensors or radar based vehicle blind spot detectors, use a higher X/K Filter setting.

If difficulties occur which cannot be solved by information in this Troubleshooting Guide, please call Whistler Customer Service at 1-479-273-6012 or visit our FAQ page at www.whistlergroup.com, before returning your unit for service.

SPEED MONITORING TECHNOLOGIES

ARE DETECTORS LEGAL?

Check with your country's laws regarding radar detector ownership and use.

It is the responsibility of the individual radar detector user to know and understand the laws in your area regarding the legality of the use of radar detectors.

POP™ Mode

POP™ Mode is a feature on some radar guns operating on K and Ka bands. When the gun is in POP™ Mode and activated, a brief burst of energy, less than 1/15 of a second, is transmitted and the vehicle's speed is quickly acquired. A detector without POP™ Mode detection capability cannot respond to this brief transmission.

Laser Facts

It's well documented that many radar guns cannot reliably provide the speed of a targeted vehicle that is traveling in a group of vehicles. In contrast, a laser gun can target a specific vehicle out of a line of traffic and determine its speed. The advantage of laser over radar in terms of target identification is the result of the laser gun's narrow beam. A radar gun's transmission can cover more than a four-lane highway at a distance of 1,000 feet, compared with a laser gun's transmission which covers about 3 feet at the same distance.

SPEED MONITORING TECHNOLOGIES

For best protection, keep these points in mind:

- Because the vehicle's license plate or headlights are the laser gun's primary targets, mounting the Whistler detector on the dashboard can improve laser detection at short range.
- Do not follow closely behind any vehicle you cannot see through. If you can't see past a vehicle ahead of you, chances are your detector can't either.
- The receiving range of your laser detector will not be the same as a radar detector. Laser guns are most often used at short range. Whistler Laser-Radar detectors receive all current laser guns which operate at a laser wavelength of 800-1000nm.

Laser Tips

If you are the targeted vehicle, a laser gun can often determine your speed within a few seconds after you receive an alert. In this situation, there is generally no time to safely adjust your speed. However, if you are traveling near or behind the targeted vehicle and receive an alert, response time should be sufficient. Any laser alert, regardless of duration, requires immediate action.

Radar Facts

A radar gun operates by transmitting radio waves at certain frequencies which reflect off objects and are picked up by the radar gun's receiving section. When a radar beam reflects off a moving target, a measurable frequency shift occurs. The radar unit converts this shift into miles per hour to determine your vehicle's speed.

SPEED MONITORING TECHNOLOGIES

Radar Facts - Continued

This laser/radar detector receives signals from traffic radar guns at X Band (10.500 - 10.550 GHz), K Band (24.050 - 24.250 GHz), and Ka Band (33.400 - 36.000 GHz).

Note: Your radar detector is designed to alarm if an officer is transmitting on any one of the above radar bands.

Other Speed Detection Systems

Several techniques other than radar or laser are used to measure vehicle speeds. When these methods are being used, no detector can provide a warning.

These techniques include:

- Pacing - A patrol car drives behind you and matches your driving speed.
- Vascar/Aircraft - The police measure the time it takes your vehicle to travel a known distance.

Radar Detector Detectors: VG-2, Spectre

The Interceptor VG-2 or simply VG-2, is one type of microwave receiver used by Police to detect signals radiated by the local oscillator of a radar detector. Because its purpose is to identify persons driving with radar detectors, these devices are known as a "radar detector detector" (RDD). An RDD is the primary tool used by the police to identify radar detector equipped vehicles. If caught in a state or country where detectors are illegal, drivers risk losing their radar detector and receiving a fine. In addition, instant-on radar is almost always used in combination with an RDD, leaving unsuspecting motorists

SPEED MONITORING TECHNOLOGIES

Radar Detector Detectors: VG-2, Spectre - Continued
vulnerable to receive two tickets; one potential for speeding, and the other for possession of a detector.

Note: The latest tool Police have to detect radar detectors is called Spectre. Spectre can detect the majority of undetectable (VG-2) laser/radar detectors on the market.

It is the responsibility of the individual radar detector user to know and understand the laws in your area regarding the legality of the use of radar detectors.

FCC INFORMATION

FCC ID: HSXWH20 This device complies with part 15 of the FCC Rules. Operation is subject to the following two conditions: (1) This device may not cause harmful interference, (2) this device must accept any interference received, including interference that may cause undesired operation.

Important: FCC requirements state that changes or modifications not expressly approved by Whistler could void the user's authority to operate the equipment.

WARRANTY INFORMATION

Consumer Warranty

This Whistler Laser-Radar detector is warranted to the original purchaser for a period of two years from the date of original purchase against all defects in materials and workmanship. This limited warranty is void if the unit is abused, modified, installed improperly, or if the housing and/or serial numbers have been removed. There are no express warranties covering this product other than those set forth in this warranty. All express or implied warranties for this product are limited to the above time. Whistler is not liable for damages arising from the use, misuse, or operation of this product. **Note:** This warranty does not include installation or reinstallation charges.

Service Under Warranty

During the warranty period, defective units will be repaired without charge to the purchaser when returned with a dated store receipt to the address below. Units returned without a dated store receipt will be handled as described in section "Service Out of Warranty."

Due to the specialized equipment necessary for testing a Laser-Radar receiver, there are no authorized service stations for Whistler brand detectors other than Whistler.

When returning a unit for service, please follow these instructions:

1. Ship the unit in the original carton or in a suitable sturdy equivalent, fully insured, with return receipt requested to:

Whistler Repair Dept.
551 N. 13th St.
Rogers, AR. 72756

WARRANTY INFORMATION

Please allow 3 weeks turnaround time. **Important:** Whistler will not assume responsibility for loss or damage incurred in shipping. Therefore, please ship your unit insured with return receipt requested. CODs will not be accepted!

2. Include with your unit the following clearly printed information:

- Your name and street address (for shipping via USPS), a daytime telephone number and an email address, if applicable.
- A detailed description of the problem (e.g., "Unit performs self-test but does not respond to radar").
- A copy of your dated store receipt or bill of sale.

3. Be certain your unit is returned with its serial number. For reference, please write your unit's serial number in the following space:

s/n _____

Units without serial numbers are not covered under warranty.

IMPORTANT: To validate that your unit is within the warranty period, make sure you keep a copy of your dated store receipt. You may register your warranty online at www.whistlergroup.com, however, for warranty verification purposes, a copy of your dated store receipt must accompany any unit sent in for warranty work.

WARRANTY

Service Out of Warranty

Units will be repaired at "out of warranty" service rates when:

- The unit's original warranty has expired.
- A dated store receipt is not supplied.
- The unit has been returned without its serial number.
- The unit has been abused, modified, installed improperly, or had its housing removed.

The minimum out of warranty service fee for your Whistler detector is \$65.00 (U.S.Funds). If you require out of warranty service, please return your unit as outlined in the section "Service Under Warranty" along with a certified check or money order for \$65.00. Payment may also be made by MasterCard, VISA, or American Express; personal checks are not accepted. In the event repairs cannot be covered by the minimum \$65.00 service fee, you will be contacted by a Whistler technical service specialist who will outline options available to you. If you elect not to have your unit repaired, it will be returned to you along with your certified check or money order.

Important: When returning your unit for service, be certain to include a daytime telephone number and an email address (if applicable).

WARRANTY/SPECIFICATIONS

Customer Service

Representatives are available to answer your questions Monday - Friday from 8:00 a.m. to 5:00 p.m. (CT - USA) at:

1-479-273-6012

via email at: info@whistlergroup.com or visit the FAQ's at www.whistlergroup.com.

SPECIFICATIONS

Radar Frequencies:

10.500 - 10.550 GHz (X Band)

24.050 - 24.250 GHz (K Band)

33.400 - 36.000 GHz (Ka Superwideband)

34.0, 34.3 and 35.5 GHz (Ka Narrow Plus)

Laser Wavelength: 800-1000 Nanometers (nm)

Operating Temperature Range:


-10 C to +70 C (+14 F to +158 F)

Power Requirements:

Operational 12 to 15 volts DC, 200mA nominal (2 amp fuse) Vehicle Battery Saver, 30mA nominal.

One or more U.S. patents may apply: #7,215,276.

Other patents pending.

 POP™ Mode is a trademark of MPH Industries, Inc.
SWS™ is a trademark of Safety Warning System L.C.



Specifications are subject to change without notice.

ACCESSORIES

The following accessories can be ordered from Whistler by calling 1-479-273-6012.

Order #	Description	Price
500501	Zipped Travel Case	\$ 9.95
403774	INTELLICORD®	\$27.95
202152	Large Windshield Bracket Kit	\$ 9.95
206552	Straight Power Cord (5')	\$14.95
206880	Hardwire Kit (10') (for wiring to fuse box)	\$ 9.95
206666	Modular* Cord Package (includes coiled and straight cords, and power adapter)	\$17.95
202156	Package of 4 Suction Cups	\$ 2.95
402081	Non Skid Dash Pad	\$ 6.95
206660	Straight Modular Cord & Socket Multiplier	\$11.95
206661	Coiled Modular Cord & Socket Multiplier	\$12.95

Plus Shipping and handling (per order).

Prices are subject to change without notice.